

# Auraxiss Product Catalog

04/2026 | EN



# AURAXISS— your KNXpert

---

## **Industrial-Grade Bus Stability. Made Highly Affordable.**

At auraxiss, we believe KNX is an open, powerful protocol—not an overpriced luxury label.

While budget wireless smart setups suffer from interference and high long-term maintenance costs, we bring rock-solid, wired bus stability to everyday residential and commercial projects, at a price that makes perfect commercial sense.

## Designed to Lower Your Project Costs

We eliminate bloated brand premiums and focus entirely on engineering hardware that optimizes both your upfront component costs and onsite engineering hours:

**Cost-Efficient hardware:** Our product cuts out traditional industry markups while providing high-speed batch programming and robust scene management.

**Streamlined ETS Workflows:** Our optimized, ready-to-import ETS databases (.knxprod) make configuration and commissioning fast, simple, and foolproof.

**Standardized Integration:** All hardware utilizes compact DIN-rail enclosures that fit effortlessly into everyday distribution boards, reducing labor and space complexity.

## Your Partner for Zero-Callback Margins

As an agile B2B partner, our goal is clear: to protect your profit from endless after-sales troubleshooting. By delivering highly affordable, industrial-grade hardware that just works, we help you deliver a bulletproof network within your client's actual budget.

Democratizing KNX. Rely on your KNXpert.



# Product families

Quick overview of the product range

## KNX System Devices

System components, e.g.  
Power supply



## KNX Sensors & Curtain Motor

System components, e.g.  
Sensors



## KNX Push Button

System components, e.g.  
Switch & Scenarios



# Product families

Quick overview of the product range

## DALI System Devices

System components, e.g.  
Power supply



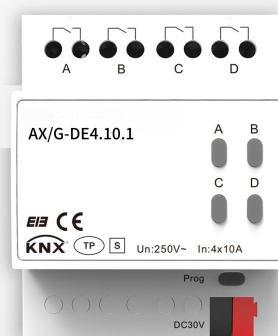
## DALI Dimming Module

System components, e.g.  
Dimming Module



## KNX-DALI-MATTER

System components, e.g.  
Gateway





# KNX System Devices

## KNX 4-Channel Switch Actuator/16A

Model: AX/G-NR4.16.1

Certification: CE/KNX

Dimension: 72\*90\*64mm

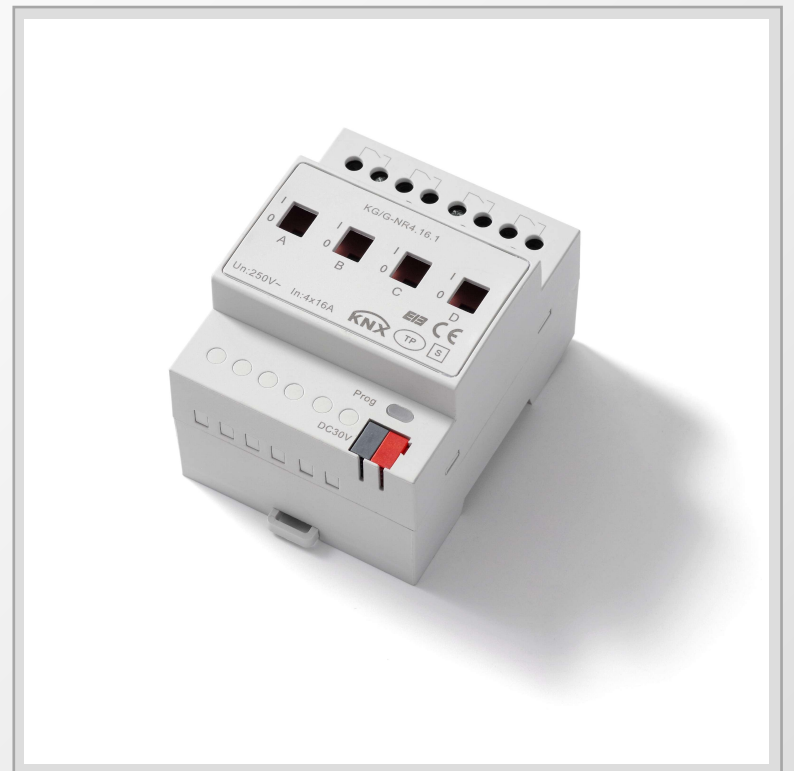
KNX Bus Voltage: 30VDC

KNX Bus Current: <5mA

KNX Bus Power Consumption: <150mW

Number of Switching Output Channels: 4

Load current: 16A



## KNX 8-Channel Switch Actuator/10A

Model: AX/G-NR8.10.1

Certification: CE/KNX

Dimension: 144\*90\*64.3mm

KNX Bus Voltage: 30VDC

KNX Bus Current: <5mA

KNX Bus Power Consumption: <150mW

Number of Switching Output Channels: 8

Load current: 10A



# KNX System Devices

## KNX 8-Channel Switch Actuator/16A

Model: AX/G-NR8.16.1

Certification: CE/KNX

Dimension: 144\*90\*64.3mm

KNX Bus Voltage: 30VDC

KNX Bus Current: <5mA

KNX Bus Power Consumption: <150mW

Number of Switching Output Channels: 8

Load current: 16A



## KNX Power Supply 1280mA with

### Auxiliary Output

Model: AX/G-P1280.1

Certification: CE/KNX

Dimension: 72\*90\*64mm (W\*H\*D)

AC Input: 198~264VAC

Standby Power Consumption: <0.5W

Typical Efficiency: 90% (Input efficiency upstream of the choke) (230VAC, full load)

KNX Bus Output: 30VDC±5%(KNX Red/Black Terminals)

Non-choke-filtered

DC voltage output: 30VDC±5%(Auxiliary power output)

Rated Current: 1280mA

Rated Power: 38.4W



# KNX System Devices

## 24VDC Power Supply for KNX Applications

Model: AX/G-P100-24.1

Certification: CE/UKCA/EAC

Dimension: 72\*90\*64mm (W\*H\*D)

AC Input: 198~264VAC

Standby Power Consumption: <0.3W

Typical Efficiency: 91%(230VAC, full load)

Rated Current: 4.2A Max

Rated Power: 100.8W

Ripple and noise: 200mVp-p

Startup/rise time: <0.5S(230VAC, full load)



## KNX DALI Lighting Controller,

### 1/2 Channel

Model: AX/G-DDW1.1 /AX/G-DDW1.2

Certification: CE/KNX

Dimension: 72\*94.5\*64.5mm

KNX Bus Voltage: 30VDC

Auxiliary Power Supply Input Voltage: 230VAC

Power Consumption: <9.44W

Number of channels: 1/2

KNX Bus Voltage: Built-in DALI Power Supply; Voltage range: 18V±0.5VDC

Certified Minimum Current: 125mA 250mA

Certified Maximum Supply Current: 250mA 500mA

# KNX Sensors & Curtain Motor

## KNX Microwave Motion and Presence Sensor

Model: AX/F-CMMS.1

Certification: CE / KNX

Dimension:  $\phi 67 \times 40$  mm

Detection Distance: 6m max

Installation Height: < 4m

Illuminance Range: 0 – 65535 lux

Delay Time: Adjustable

KNX Bus Voltage: 30 VDC

Auxiliary Power Input: 21 – 30 VDC

Operation Temperature: -5 ~ +45 °C



## KNX 24GHz Millimeter Wave Presence Sensor

Model: AX/F-CMPS.1

Certification: CE / KNX

Dimension:  $\phi 67 \times 40$  mm

Motion Sensing Distance: 5.5m max

Presence Sensing Distance: 4m max

Installation Height: < 4m

Illuminance Range: 0 – 65535 lux

Delay Time: 10 – 3600s

KNX Bus Voltage: 30 VDC

Auxiliary Power Input: 21 – 30 VDC

Operation Temperature: -5 ~ +45 °C



# KNX Sensors & Curtain Motor

## KNX Curtain Motor (1.2N·m / 50kg)

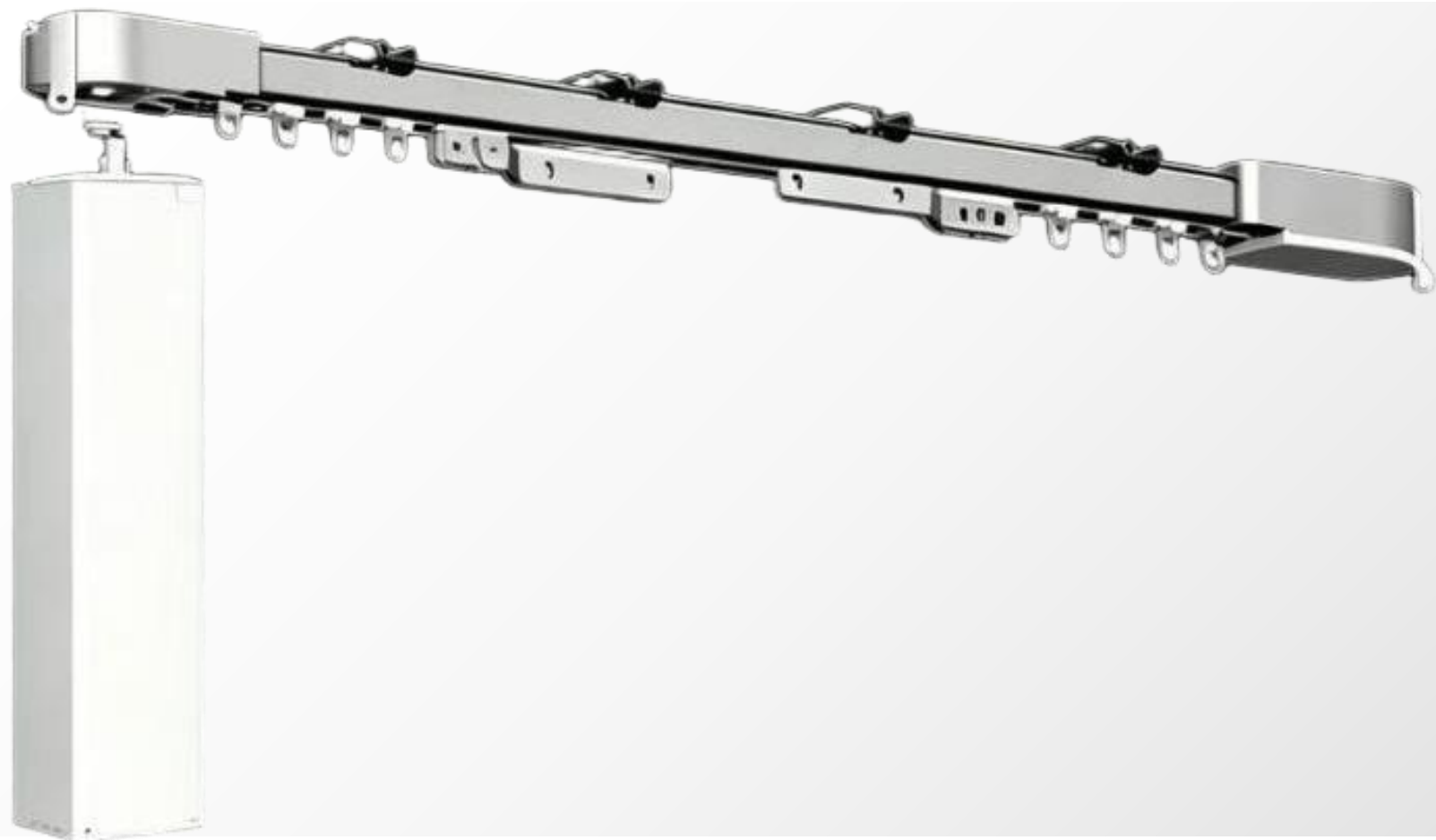
Model: AX-M-KNX-C50

Rated Torque: 1.2 N·m

Running Noise: < 30 dB

Max. Load Capacity: 50 kg

Control Bus: Native KNX





# KNX Push Button

**Customizable appearance**

## 86-Type KNX 4-Channel /

## 6-Channel Push Button Interface

Model: AX/P-4K (4-Button) / AX/P-6K (6-Button)

Certification: CE / KNX

Dimension: 89.8 × 85.8 × 33.3 mm

Installation: Standard 86-Type Wiring Box (Concealed Mounting)

Control Channels: 4 or 6 Independent Buttons

Output Load: Signal Output Only (No Integrated Relay)

KNX Bus Voltage: 30 VDC

Bus Current: < 20 mA

Operation Temperature: -5 ~ +45 °C



## 86-Type KNX 4-Channel / 6-Channel

## Push Button Interface with Relay

Model: AX/P-4K-R AX/P-6K-R

Certification: CE/KNX

Dimension: 89.8\*85.8\*33.3mm

Install: 86-typewiring concealed

-mounting box installation

Ta/OperationTempe: -5 ~ +45°C

Ts/StorageTemp: -20~ +60°C

KNX bus supply voltage: 30VDC

Bus current consumption: <20mA

Bus power consumption: <600mW



Programming button/LED indicator: Set physical address

Manual button/LED indicator: Manual control and indication



# DALI System Devices

## Slim 24V DALI Dimming LED Power Supply,

### IP20 Class II

Product Type: Constant Voltage LED Driver

Dimming Interface: DALI Dimmable

Output Voltage: 24V DC

Output Power: 30 – 100W

Input Voltage: 220 – 240V AC (50/60 Hz)

Power Factor:  $\geq 0.95$

Current Ripple: 0.5% (Flicker-Free)

Max Efficiency: Up to 92%

Dimension (LxWxH): 350 x 30 x 18 mm (Slim Housing)

Protection: Overload / Short Circuit / Open Circuit / Overheat Protection

Safety & Rating: SELV / IP20 / Insulation Class II

Lifespan / Warranty: 60,000 Hours / 5 Years



## DALI-2 Smart LED Driver (15-36W)

### - Supports CLO, NFC & EL Emergency

Product Type: Constant Current LED Driver

Dimming Interface: DALI-2 (Supports DiiA Part 251, 252, 253) / PUSH DIM

Dimming Range: 1% – 100%

Output Power: 15W / 23W / 36W

Configuration: Wireless NFC Current Setting

Advanced Features: CLO (Constant Light Output) / Corridor Mode / EL Emergency Mode

Dimensions (LxWxH): 15W & 23W (Independent): 138.7 x 31 x 21.5 mm

/15W & 23W (Built-in): 118.7 x 31 x 21.5 mm /36W (Independent): 163.7 x 31 x 21.5 mm

36W (Built-in): 143.7 x 31 x 21.5 mm

Startup Time:  $\leq 0.7s$  @ 230V AC

Protections: Short Circuit / Overload / No-Load / Insulation Class II

Safety & Ratings: IP20 / CE Certified

Operation Temperature: -20 ~ +50 °C

Applications: Premium LED Panel Lights, Downlights / Tube Lights



# DALI Dimming Module

## Mini DALI to 0/1-10V Converter with Relay (Square Version)

Model: AX/F-DDE1.8.2

The load can be switched from 0/1 to 10V through a relay

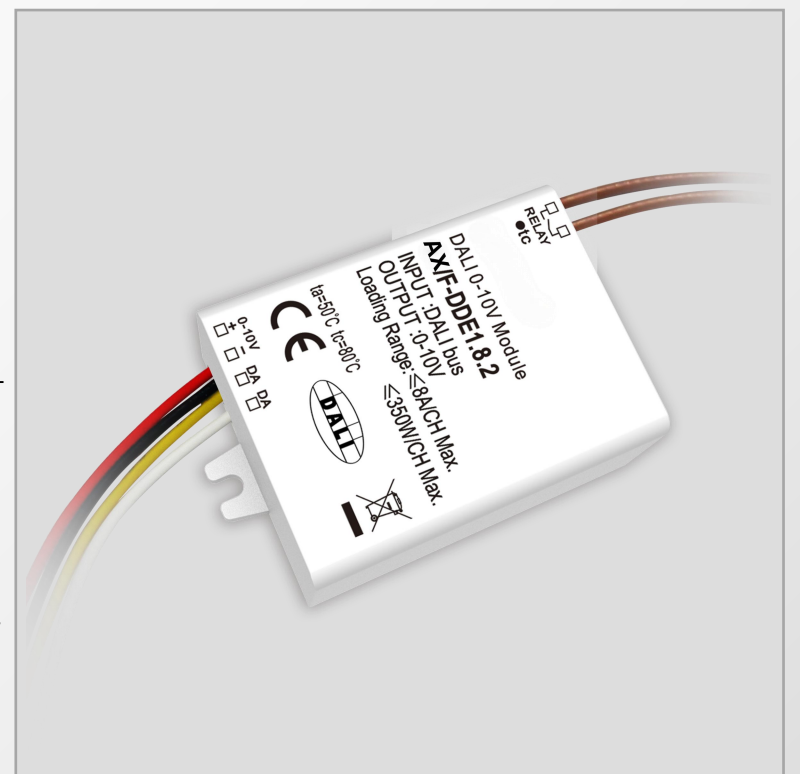
Power supply via DALI bus

Small size

Compatible with mainstream DALI systems on the market

Certification:KNX/CE

Size:64.5\*40\*22.7mm(LxWxH)



## Mini DALI to 0/1-10V Converter with Relay (Round Version)

Model: AX/F-NDR1.8.1

It can be accessed through a relay switch

Power supply via DALI bus

Small size

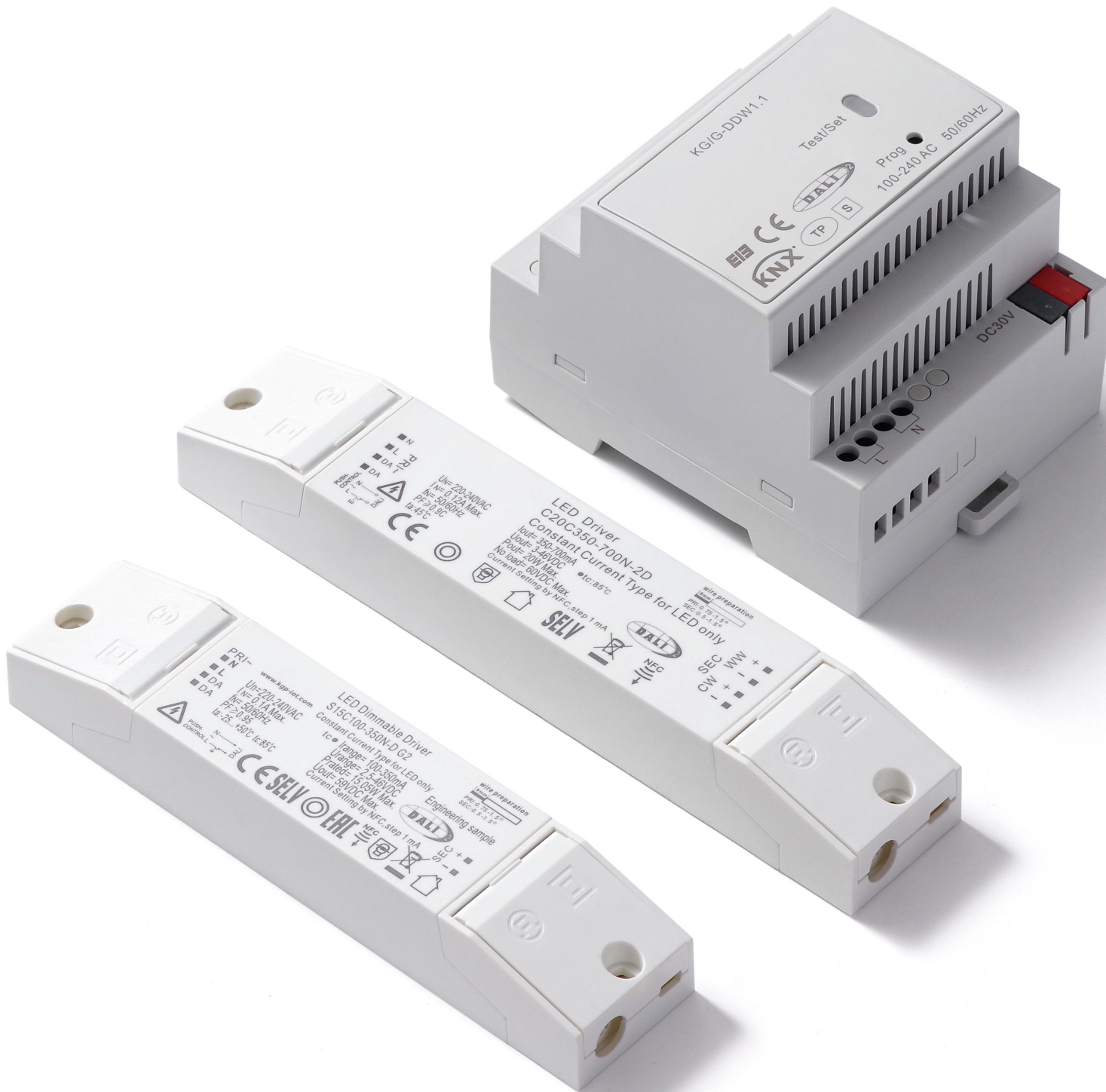
Compatible with mainstream DALI systems

- on the market

Certification:KNX/CE

Size: φ55\*3.4mm





# KNX-DALI-MATTER

## KNX to DALI-2 Gateway (LAN Integrated)

DALI Channels: 2 Channels

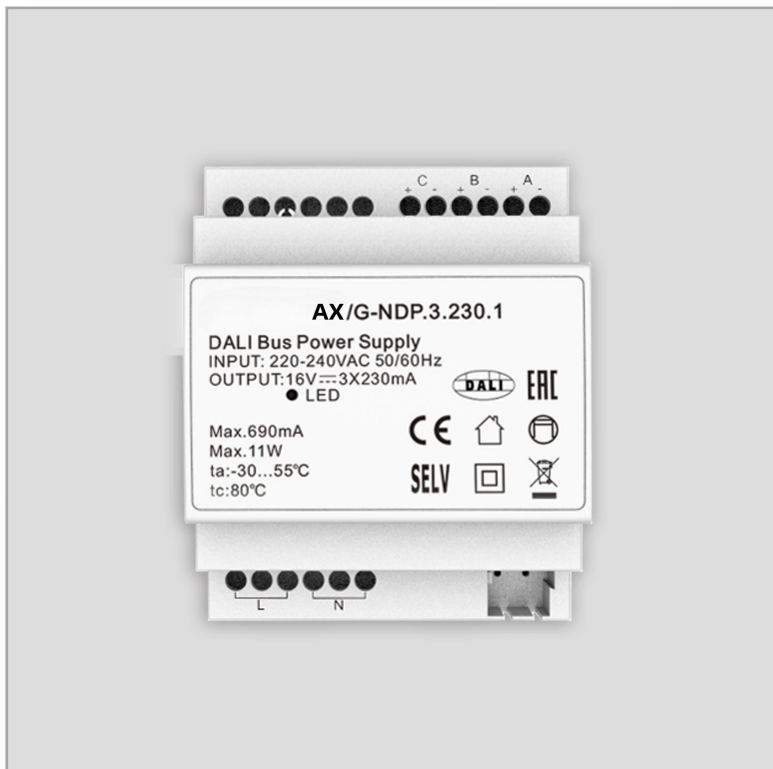
DALI Device Capacity 128 Devices Total (64 per channel)

ECG Control: 128 Broadcast / Group Controls

Commissioning Interface: Native LAN Port -(IP Connection)

DALI Protocol: DALI-2 Standard

Installation Method: Standard DIN-Rail Mounted



## 3-Channel DALI bus power supply

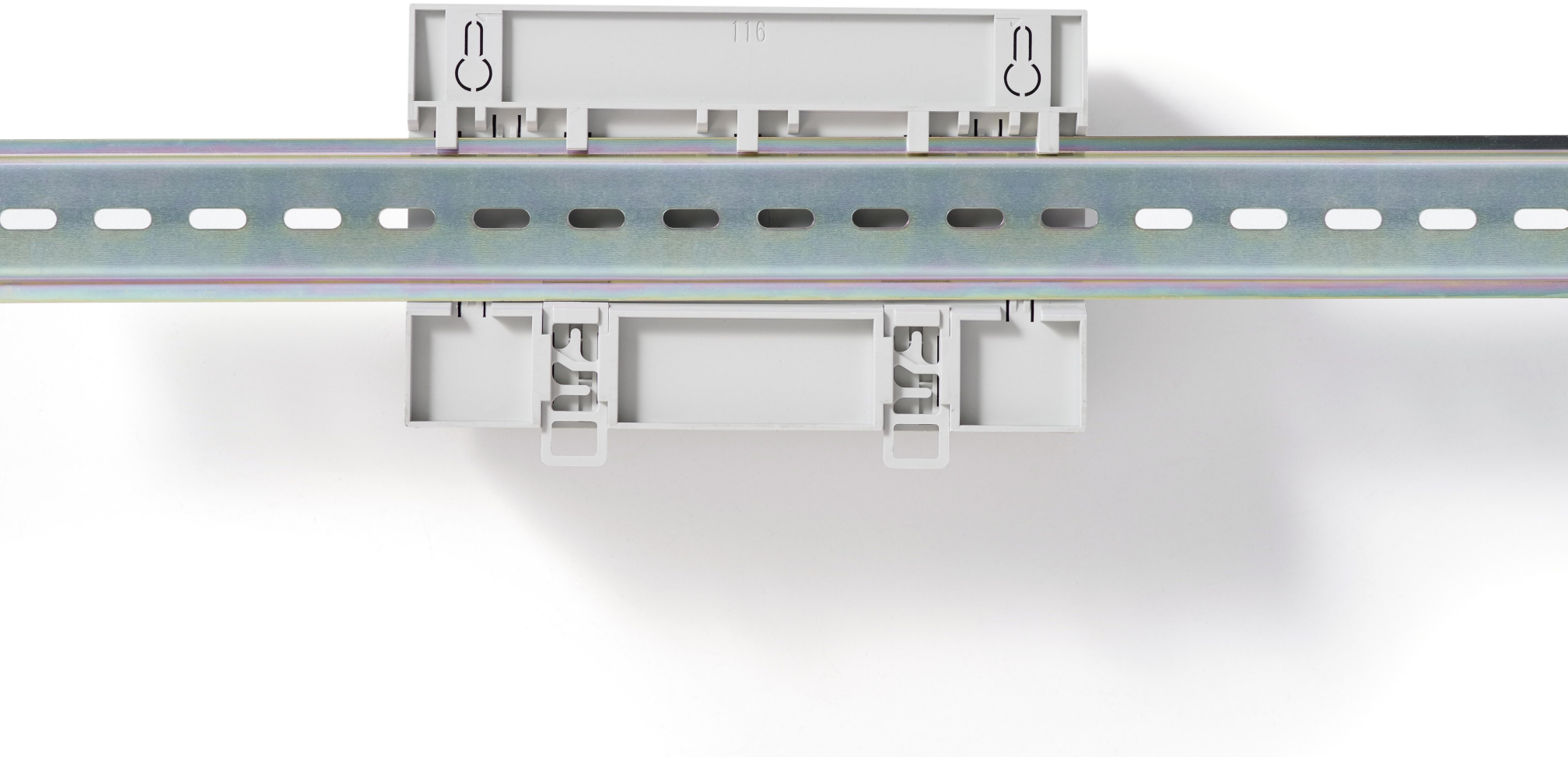
Model: AX/G-NDP.3.250.1

Certification: KNX/CE

Size: 90\*72\*64mm(LxWxH)

Products compatible with the DALI protocol

3-channel independent output



## Contact

Email: [lalisa@auraxiss.com](mailto:lalisa@auraxiss.com)

Phone/ WhatsApp: +853-62040640

Address: Room 820, Building 1, Fujing Mansion Tanzhou Town, Zhongshan City, Guangdong Prov., China

