



P Series Smart Panel without Relay

AX/P-4K

AX/P-6K

Functional Description

- Mechanical buttons and LED indicator lights.
- Switching and dimming functions
- Colour temperature control function
- Curtain functions
- Scene Transmission Function
- Value transmission function (supporting 1 bit, 2 bits, 4 bits, 1 byte, 2 bytes, 4 bytes)

Characteristics

- Installation of Type 86 Concealed Junction Box
- Programming and configuration via ETS5/ETS6 software
- Supports multiple control modes
- Adjustable brightness of LED indicator lights on the panel
- 3-year warranty

● Overview

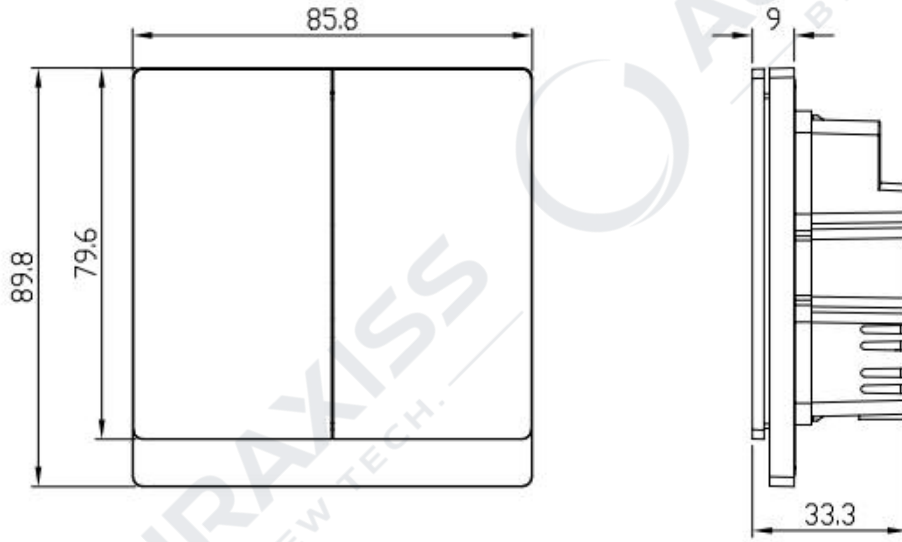
The P Series panels integrate fundamental control functions including switching, dimming, colour temperature control, curtain operation, scene management, value sending, and delay mode, whilst supporting LED indication. They also incorporate logic functions to provide additional control options for specialised and complex applications. The P Series panels require only KNX bus power supply.

1. Parameters

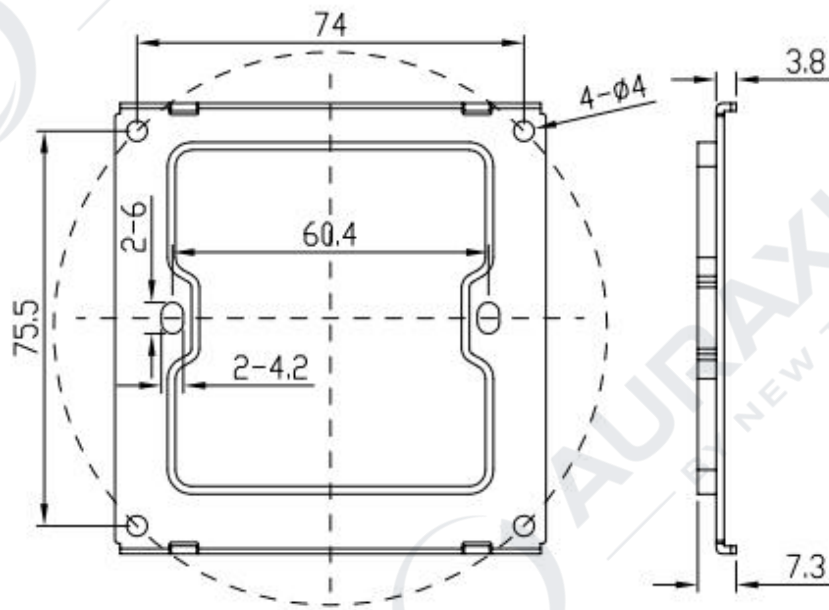
Model		AX/P-4K	AX/P-6K
Basic parameters	KNX bus supply voltage	30VDC	
	Bus current consumption	< 20mA	
	Bus power consumption	< 600mW	
Operation and Display	Programming button/LED indicator	Set physical address	
	Manual button/LED indicator	Manual control and indication	
Environment	Ta/Operation Tempe	-5 ~ +45°C	
	Ts/Storage Temp	-20 ~ +60°C	
	Operating Humi	10 ~ 95% RH Condensation-Free	
Connect	KNX Bus Terminal	0.8mm φ, Solid Wire	
Other	Dimension	89.8*85.8*33.3mm (W*H*D)	
	Install	86-type wiring concealed mounting box installation	

2. Dimension

AX/P-4K

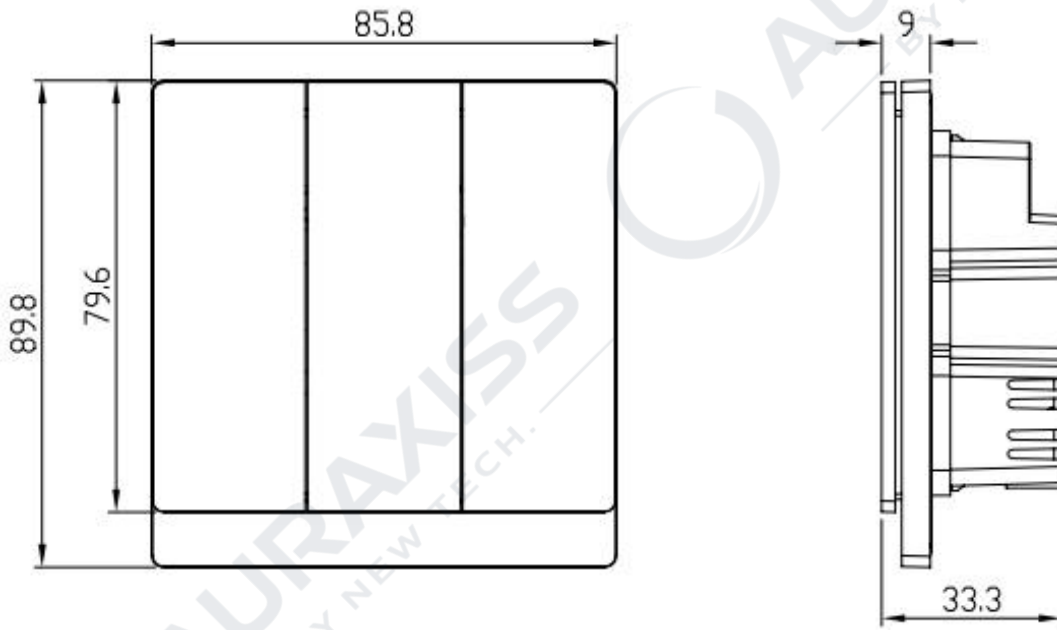


Panel dimension drawing

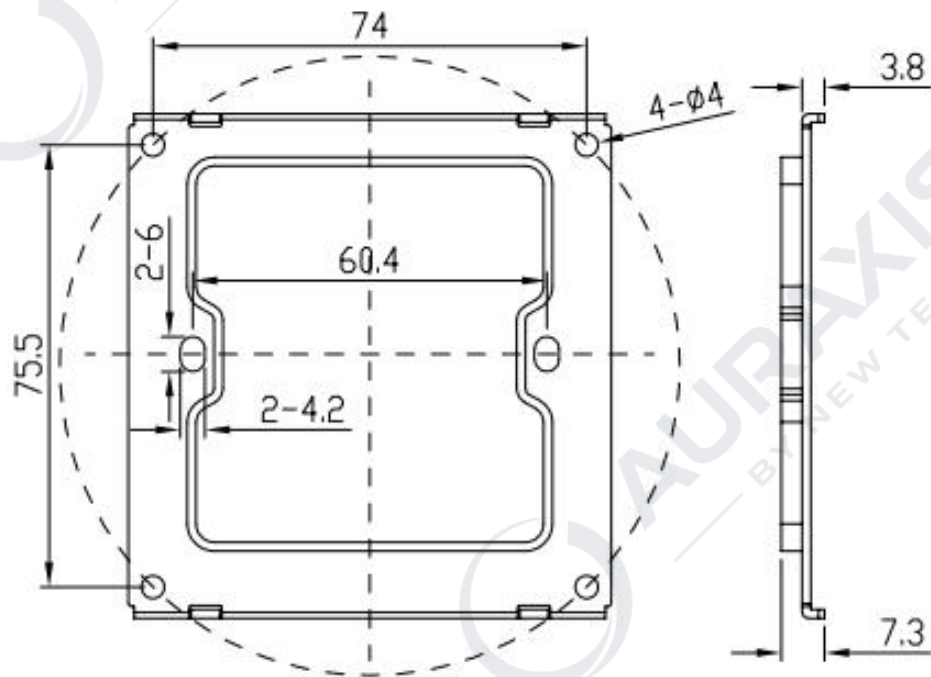


Mounting plate dimension drawing

AX/P-6K



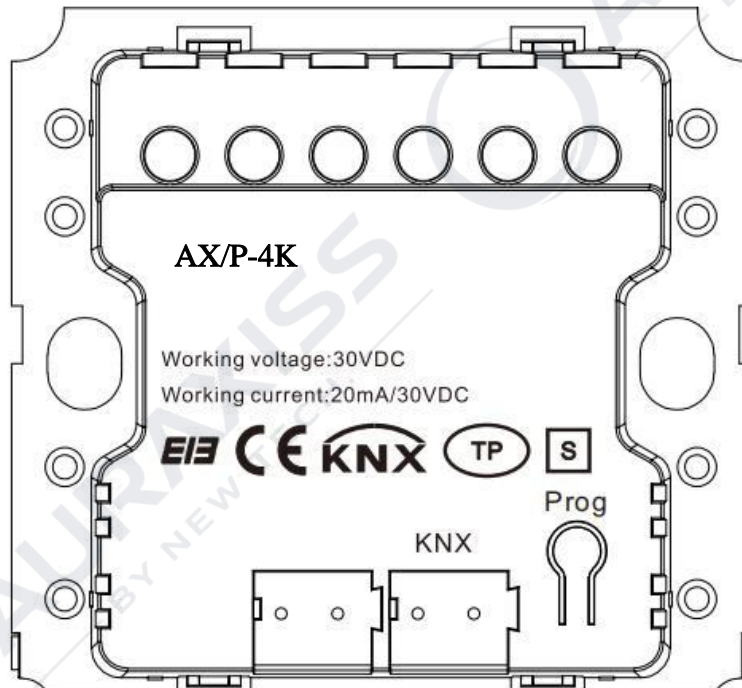
Panel dimension drawing



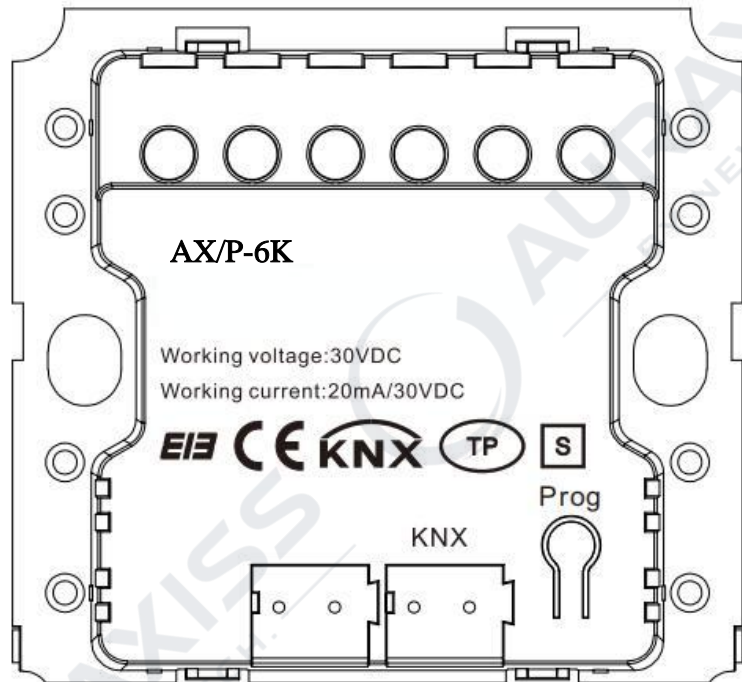
Mounting plate dimension drawing

3. Label

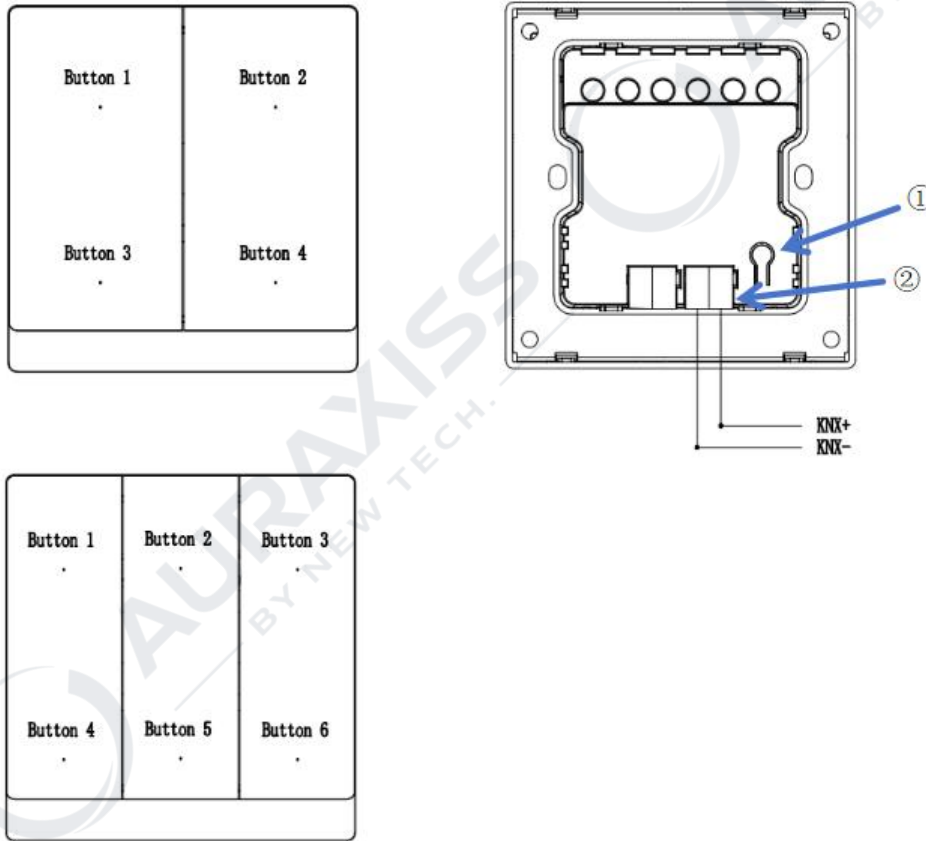
AX/P-4K



AX/P-6K

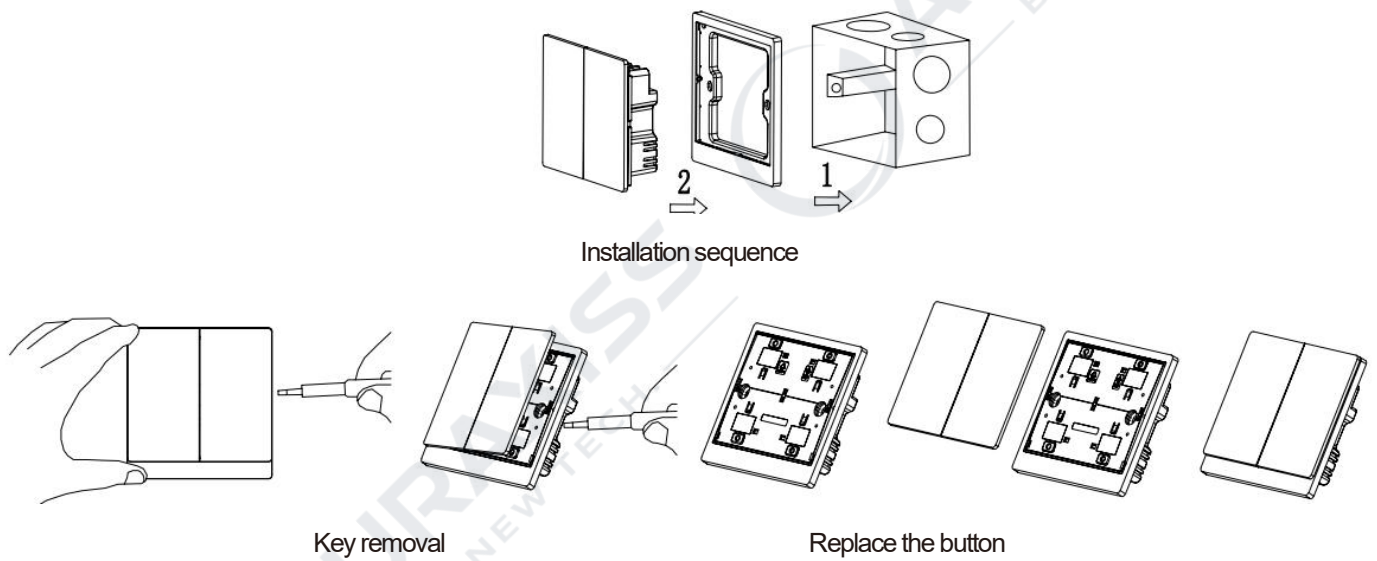


4. Wiring Diagram



- 1、Programming button.
- 2、KNX bus connection terminals.

5. Mounting Drawing



6. Revision History

DATE	REV	Modification details
2025-10-14	V1.0	Initial Release
2025-12-19	V1.1	Change the wiring diagram.