

## 4-Channel General Purpose Input/Output interface AX/F-IOUI4.4.1

### Functional Description

- Dry contact input detection: Supports basic control functions including switches, dimming, send value commands, scenes, curtains/blinds, shift registers, multi-operations, RGB/RGBW dimming, and delayed send value.
- NTC input: Supports connection of two-channel NTC 10K temperature sensors for temperature detection and high/low temperature alert functionality.
- Temperature control function: Compatible with 2-pipe HVAC systems, supporting two-position or PI control types, 4 operating modes, 3 fan speed stages, and automatic fan speed control.
- Logic functions: Supports AND, OR, XOR, gate forwarding, threshold comparison, format conversion, gate functions.
- Threshold Functions: High/Low Threshold Control, Hysteresis Control, and Related Functions.
- Scene group function: Provides 8 configurable scene groups, each supporting 8 programmable outputs.
- Indicator light driving: Supports common anode connection with 5V or 12V operating voltage.

### Characteristics

- Miniaturized 4-channel General Purpose Input/Output (GPIO) interface
- Programmable via ETS5/ETS6 Software
- 3-Year Warranty

### ● Overview

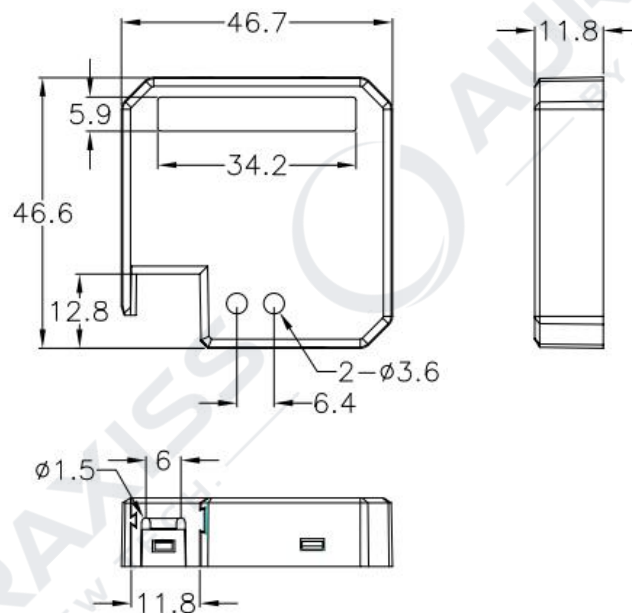
The 4-channel General Purpose Input/Output (GPIO) interface is a versatile, highly integrated intelligent control device specifically engineered for modern automation systems. Through flexible I/O configuration, it fulfills diverse requirements for electrical control, environmental monitoring, and automation scenarios, making it suitable for smart homes, building automation, industrial control, and other applications.

## 1. Parameters

Model	AX/F-IOUI4.4.1	
Basic Parameters	KNX Bus Voltage	30VDC
	KNX Bus Current	<17mA
	Bus Power Consumption	<510mW
Input/Output	4-channel LED output / Dry contact input	Individually configurable LED output / dry contact input functionality
	4-channel	Individually configurable dry contact input functionality
	2-channel NTC input	Individually configurable NTC 10K temperature monitoring functionality
	LED Output	Voltage 5V or 12V, 5mA current limit per channel
Operation and Display	Programming Button/ LED Indicator	Setting Physical Addresses
	Manual Button/ LED Indicator	Manual Control and Indication
Environment	Ta/Operation Tempe	-5 ~ +45°C
	Ts/Storage Temp	-20 ~ +60°C
	Operating Humidity	10 ~ 95% RH Condensation-Free
Connection	KNX Bus Terminal	0.8mm $\phi$ , Solid Wire
Other	Dimension	46.6mm $\times$ 46.7mm $\times$ 11.8mm
	Install	China Standard 86 wall-box or Europe Standard 80 wall-box

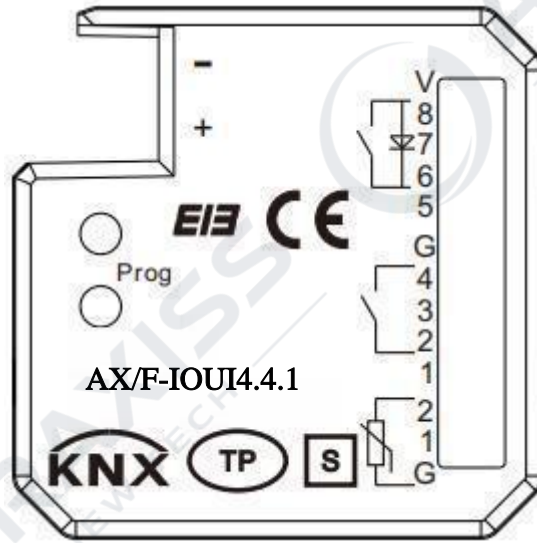
## 2. Dimension

AX/F-IOUI4.4.1



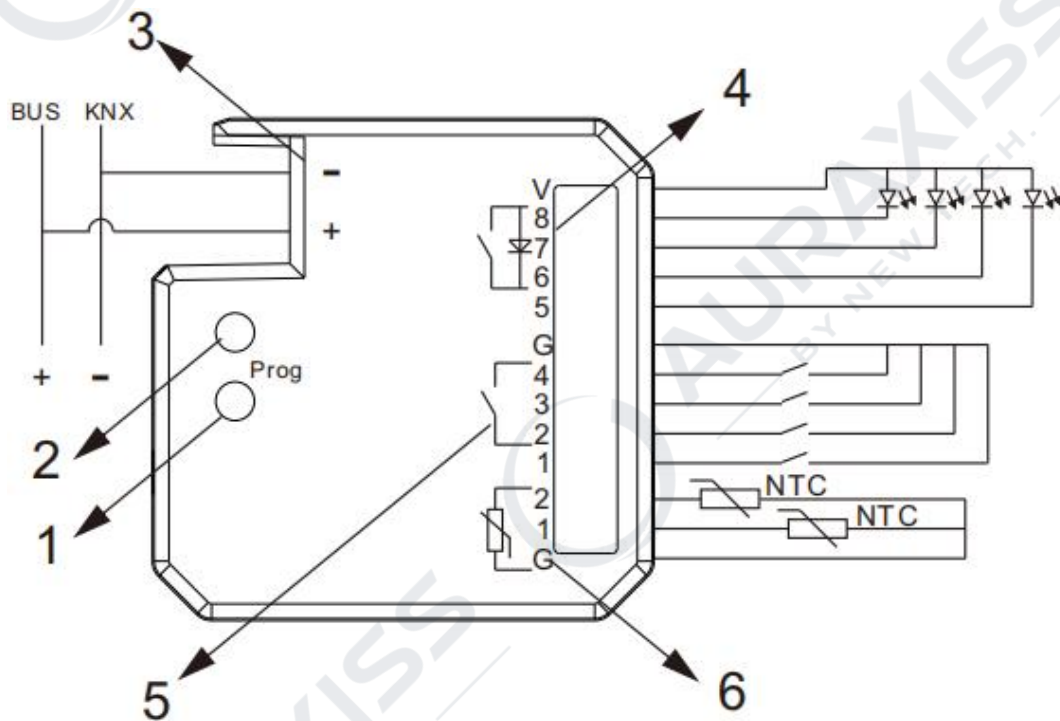
### 3. Label

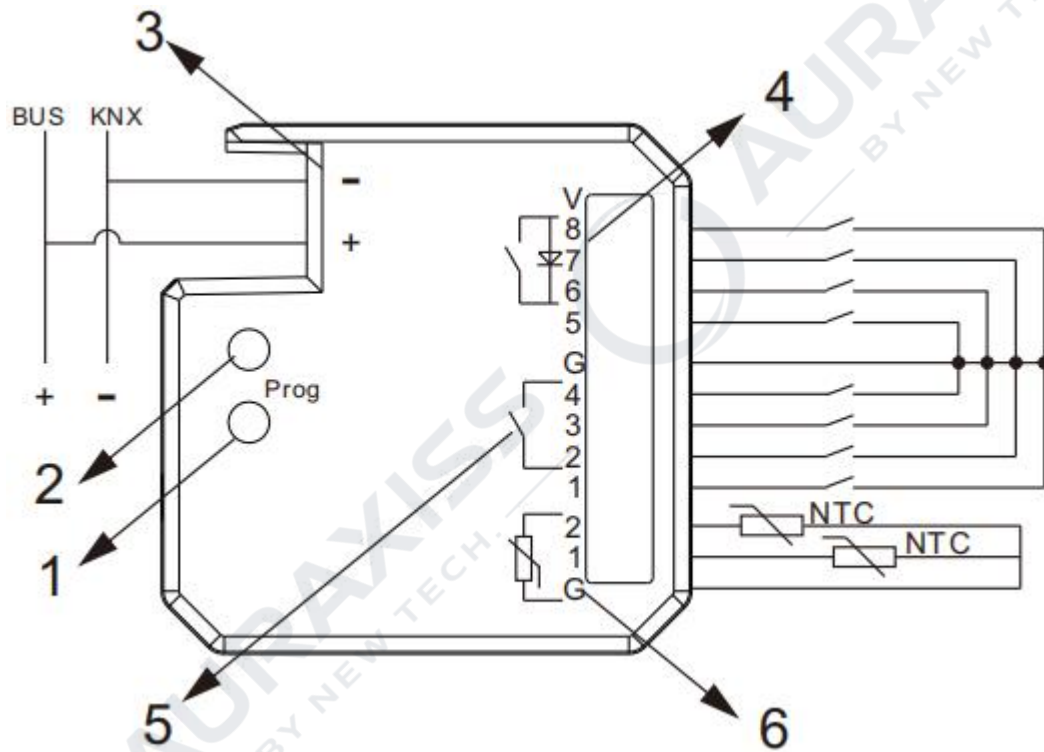
AX/F-IOUI4.4.1



### 4. Wiring Diagram

AX/F-IOUI4.4.1





- 1、 Programming Key
- 2、 LED Status Indicator
- 3、 KNX Bus Terminal
- 4、 LED Output / Dry Contact Input
- 5、 Dry Contact Input
- 6、 NTC Sensor Input

## 5. Revision History

DATE	REV	Modification details
2025-10-14	V1.0	Initial Release